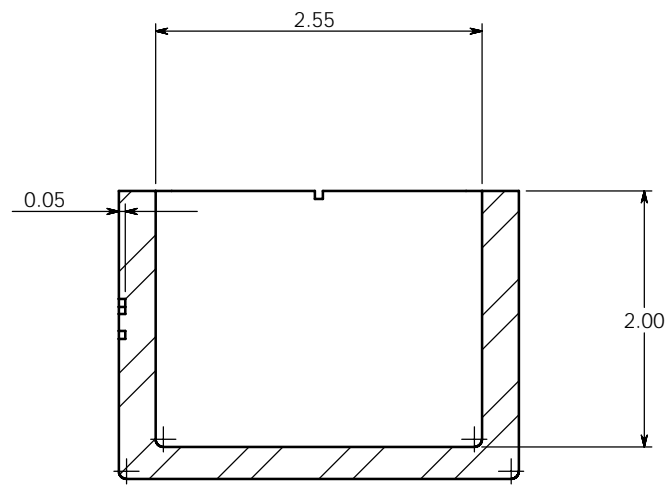
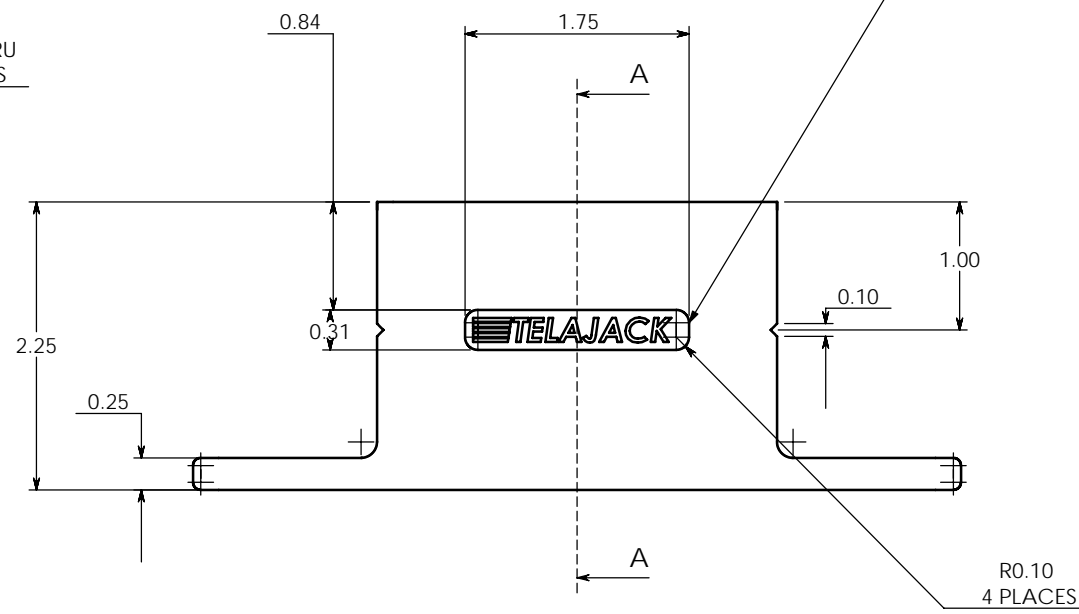
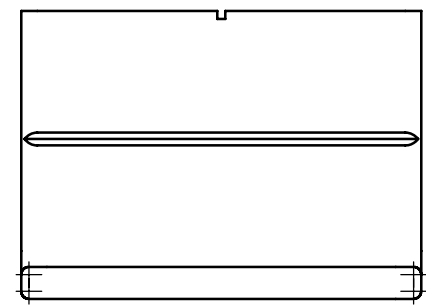
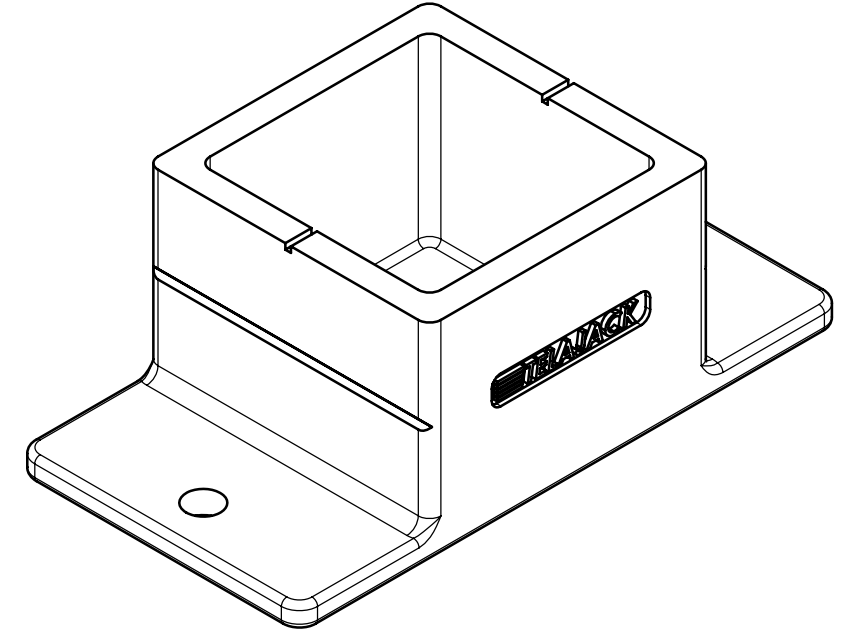
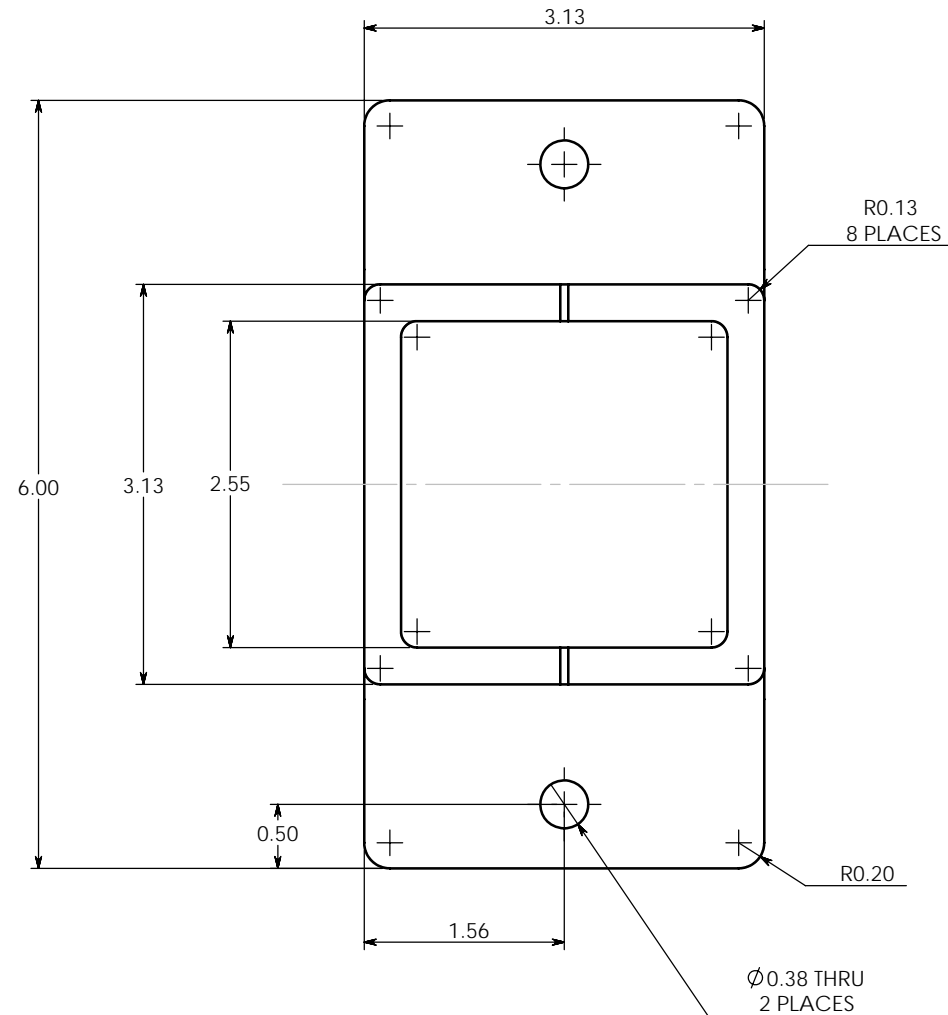


REVISIONS				
REV.	DESCRIPTION	DATE	DWG NO	APPROVED
A	LOGO CHANGED	5/24/2007		



SECTION A-A
SCALE 2 : 3

PROPRIETARY AND CONFIDENTIAL
THE INFORMATION CONTAINED IN THIS DRAWING IS THE SOLE PROPERTY OF TELA JACK LLC. ANY REPRODUCTION OR DISTRIBUTION IN PART OR AS A WHOLE WITHOUT THE WRITTEN PERMISSION OF TELA JACK LLC IS PROHIBITED

UNLESS OTHERWISE SPECIFIED:
DIMENSIONS ARE IN INCHES
TOLERANCES:
FRACTIONAL ± 1/32"
ANGLE MACH ± 0.25° BEND ± 0.5°
TWO PLACE DECIMAL ±0.03"
THREE PLACE DECIMAL ±0.010"

DATE:	2007.03.28	NAME:	A BUTLER	CUSTOMER:	PCT
DRAWN:				PART NO:	03
CHECKED:				DESCRIPTION:	BOTTOM PLATE
ENG APPR:				MATERIAL:	1020 OR EQUIVALENT
MFG APPR:				FINISH:	125
QA APPR:				QUANTITY:	AS PER RFQ
COMMENT:	ALL RADS 0.06 UNLESS MARKED				

TELAJACK

DRAWING NO:
RFQ01-C-03-REV A

WEIGHT: 3.17 LBS ISSUED: 12/31/2007