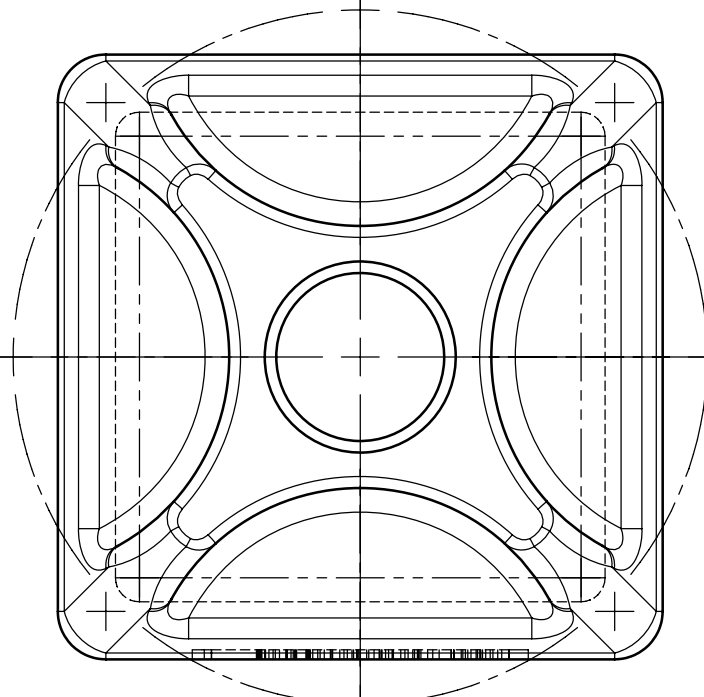
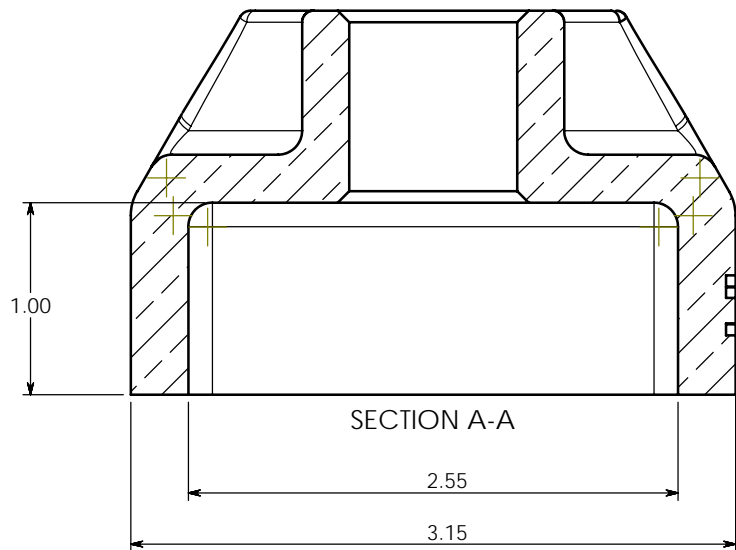
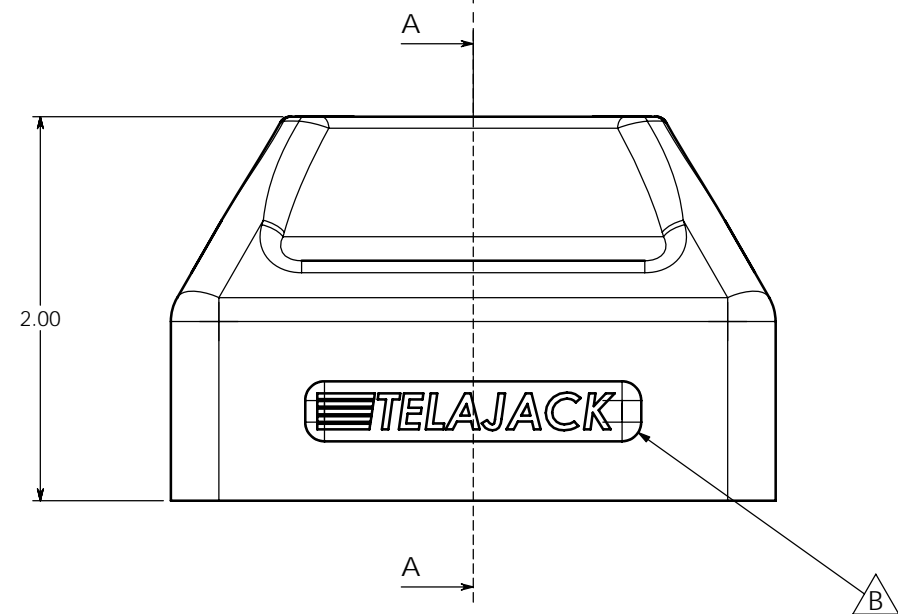
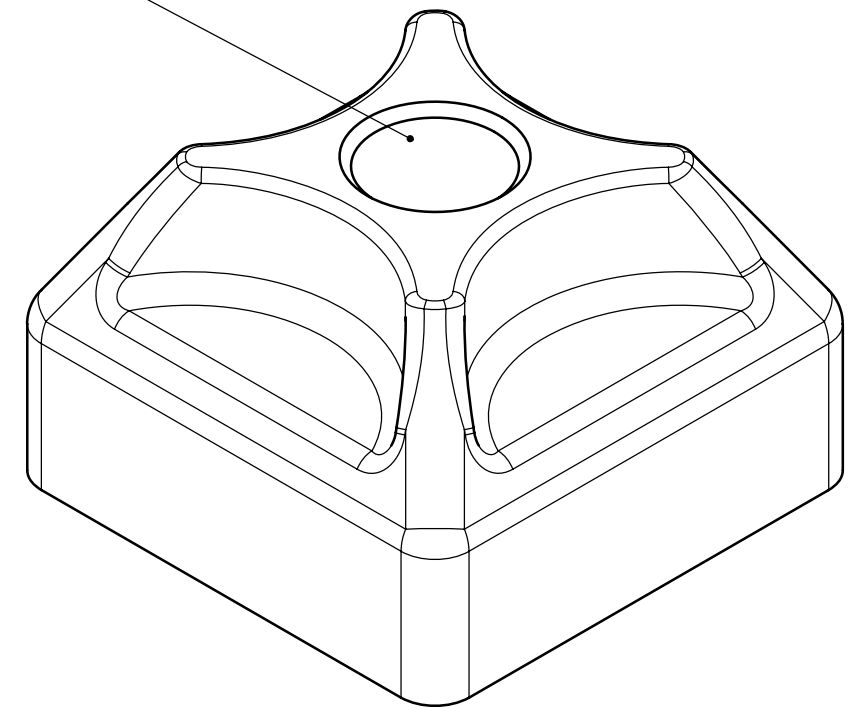


REVISIONS				
REV.	DESCRIPTION	DATE	DWG NO	APPROVED
A	ADDED THREAD CALLOUT	4/10/2007		
B	CHANGED LOGO	5/24/2007		



△ A TAP FOR 1x8 UNC THREAD



PROPRIETARY AND CONFIDENTIAL
 THE INFORMATION CONTAINED IN THIS DRAWING IS THE SOLE PROPERTY OF TELAJACK LLC. ANY REPRODUCTION OR DISTRIBUTION IN PART OR AS A WHOLE WITHOUT THE WRITTEN PERMISSION OF TELAJACK LLC IS PROHIBITED

UNLESS OTHERWISE SPECIFIED:
 DIMENSIONS ARE IN INCHES
TOLERANCES:
 FRACTIONAL ± 1/32"
 ANGLE MACH ± 0.25° BEND ± 0.5°
 TWO PLACE DECIMAL ±0.03"
 THREE PLACE DECIMAL ±0.010"

	DATE:	NAME:	CUSTOMER:	PCT
DRAWN:	2007.03.28	A BUTLER	PART NO:	01
CHECKED:			DESCRIPTION:	CAP
ENG APPR:			MATERIAL:	1020 OR EQUIV
MFG APPR:			FINISH:	125
QA APPR:			QUANTITY:	AS PER RFQ
COMMENT:	ALL RADS 0.125 UNLESS MARKED			

TELAJACK

DRAWING NO:
RFQ01-C-01-REV B

WEIGHT: 1.95 LBS

ISSUED: 12/31/2007